



RUSAN-MIKRON d.o.o.

Hum Bistrički 142a, 49246 Marija Bistrica, CROATIA

web: www.rusan.hr

e-mail: sales@rusan.hr

skype: [ivanrusan](https://www.skype.com/name/ivanrusan)

TEL: +385 (0) 49 301692

FAX: +385 (0) 49 469445

MOB: +385 (0) 95 8537359

Rusan Q-R universal clamping adapter for devices with thread M52x0.75:

- Dedal 540/541/542/546/552
- Jahnke DJ-8 NSV
- Lahoux D-545, LV-81



In combination with thread reducing ring:

- Armasight CO-MR, CO-Mini
- Pulsar Core/DFA75/DN55 **NEW**
- Pulsar F135/F155 **NEW**
- ATN PS22
- ATN PS28
- Dipol DN31/32/33/34
- Lahoux LV-21
- Lahoux Hemera
- Nitehog TIR-M35
- Guide TA435 **NEW**



Rusan clamping adapter has thread **M52x0.75** (Dedal, Yahnke, Lahoux and many other devices). It can be combined with appropriate **reducing ring** and used for many other devices.



For devices with thread other than M52x0.75) :

Exactly the same clamping adapter is used, in combination with appropriate "Thread reducing ring", which are ordered and sold separately.

Ordering codes for reducing rings:

- APS22 - for ATN PS22, Armasight CO-MR, CO-Mini, Lahoux LV-21^{NEW} (M39x1)
- APS28 - for ATN PS28^{NEW}
- ADN33 - for Dipol DN31/32/33/34 (M49x0.75)
- ADFA75 - for Pulsar Core / DFA75 / Dn55
- AF135-F155- for Pulsar F135 / F155^{NEW}
- ATIR-M35 - for Nitehog TIR-M35, Lahoux Hemera (M46x0.75)^{NEW}
- ATA435 - for Guide TA435 (M33.5x0.75)^{NEW}



FEATURES

Quick-release

- easy and fast to put on/off
- adjustable clamping force

Aircraft aluminium

- high durable
- lightweight

Another adapter for each dimension of riflescope

- no diameter-reducing plastic rings
- very rigid
- fits on very low mounted riflescopes (Blaser rifles)

Special material inside for excellent grip

- stays in place while shooting high calibers
- no movement, doesn't damage riflescope

Successfully tested with calibers .338 Lapua Magnum and .416 TYR.

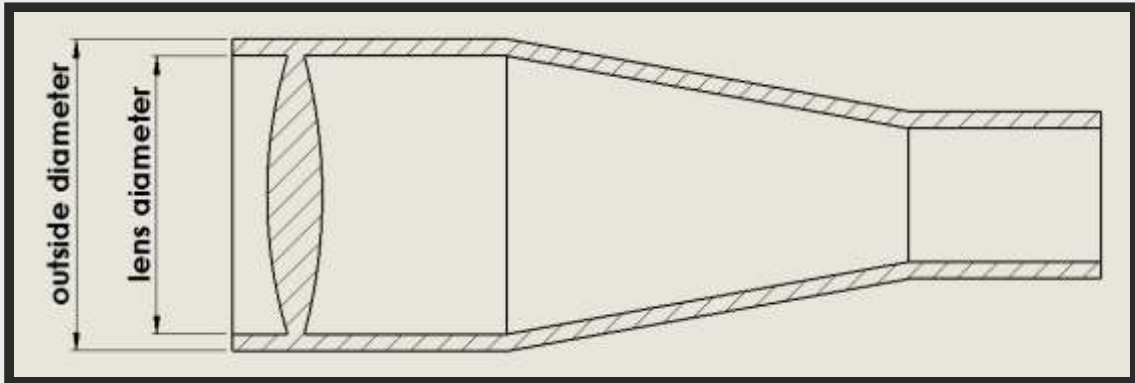
Every model (dimension) have adjustment of around ± 0.2 mm in clamping diameter.

Almost all models has overall length 48 mm and clamping length 37 mm, except these:

	<u>Clamp. length</u>	<u>Note</u>
ARM52-30	27	
ARM52-30SR *	27	for x24 riflescopes with SR rail
ARM52-56.7 **	24	for Zeiss Victory Diarange (with laser rangefinder)
ARM52-62.7 **	24	for Zeiss Victory Diarange (with laser rangefinder)

Rusan clamping adapter is marked by it's **exact diameter**, which is equal to **outside diameter of the riflescope's objective tube**.

<i>Rifle scope example</i>	<i>lens diameter</i>	<i>outside diameter</i> <i>= adapter diameter</i>	<i>adapter code</i>
Swarovski Z6i 2.5-15x56 P	56 mm	62 mm	ARM52-62
Dedal DH 5-20 x 56	56 mm	64 mm	ARM52-64
Nightforce (B.E.A.S.T.) 5-25 x 56 F1	56 mm	65 mm	ARM52-65



Rusan clamping adapter for Night-Vision clip-on devices is produced in next sizes (mm):

30, 30SR, 34, 36, 38, 39.5, 41, 42, 44, 46, 46.7, 48, 49, 50, 51, 52, 53, 54, 56, 56.7, 57, 58, 58.4, 59, 60, 60.5, 62, 62.7, 63, 64, 65, 66, 68, 71, 72, 80

NOTE for Dedal 552 / Lahoux D-545:

Because of a big ocular lens on D552, it is impossible to use this device on small scopes (under x42) directly with Rusan clamping adapter. It is possible in combination with our "Extension ring for Dedal 552" (ordering code ERD552).

On next pages there are tables with most common riflescopes on the market and appropriate Rusan adapter size

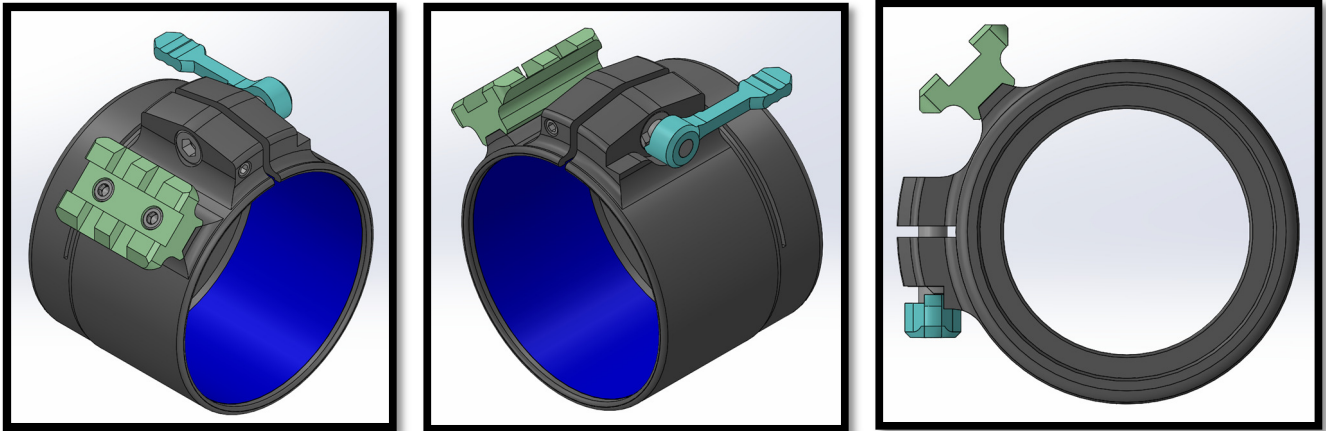
Riflescope maker Page

Dedal-NV	1
Docter	1
Kahles	2
Leupold	3
Meopta	3
Nightforce	4
Schmidt Bender	5
Swarovski	6
Zeiss	7 / 8

RUSAN clamping ADAPTER

Redesign 2017

After 8 years of producing our Rusan adapters for Night-Vision and Thermal clip-on devices, we decided to make some cosmetic and some functional changes. Below you can see pictures and explanation.



1. New locking lever - shorter, thinner... generally more elegant.

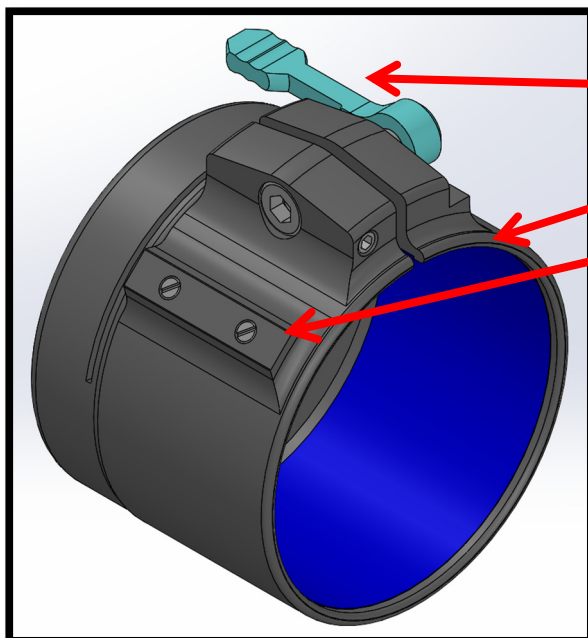
2. Changing the wall thickness of the adapter to even thinner, from 2.5 mm to 2.0 mm.

3. Adding the preparation for a weaver rail, which can be used to mount an external illuminator.

Some customers asked for this feature, because they want to mount illuminator more to the back from device, so there is less reflection of the illuminator beam. So a good solution would be to mount it on the clamping adapter.

New ordering code: **ARM52-xx** (for example **ARM52-48**, **ARM52-56**, **ARM52-62** ...)

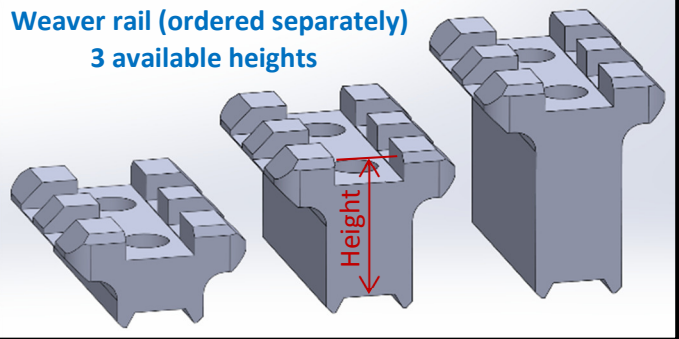
New product name: **Rusan Q-R adapter for devices with thread M52x0.75 - xx mm (v.2017)**



Changes :

1. New locking lever
2. Wall thickness 2.5 -> 2.0
3. Preparation for a weaver rail
(On adapter sizes 48 mm and bigger)
(Smaller sizes does not have it)

Weaver rail (ordered separately) 3 available heights



Order.code	Product name
WRA-9	Weaver rail for Rusan Q-R adapter (M52x0.75), height 9 mm
WRA-17	Weaver rail for Rusan Q-R adapter (M52x0.75), height 17 mm
WRA-25	Weaver rail for Rusan Q-R adapter (M52x0.75), height 25 mm

Adapter code:			ARM52-30 ARM52-30SR * ARM52-34 ARM52-36 ARM52-38 ARM52-39.5 ARM52-41 ARM52-42 ARM52-44 ARM52-46 ARM52-46.7 ARM52-48 ARM52-49 ARM52-50 ARM52-51 ARM52-52 ARM52-53 ARM52-54 ARM52-56 ARM52-56.7 ** ARM52-57 ARM52-58 ARM52-58.4 ARM52-59 ARM52-60 ARM52-60.5 ARM52-62 ARM52-62.7 ** ARM52-63 ARM52-64 ARM52-65 ARM52-66 ARM52-67 ARM52-68 ARM52-71 ARM52-72 ARM52-80																																							
Riflescope	Lens diameter		30	30SR	34	36	38	39.5	41	42	44	46	46.7	48	49	50	51	52	53	54	56	56.7	57	58	58.4	59	60	60.5	62	62.7	63	64	65	66	67	68	71	72	80			
	Outside diameter																																									
Dedal-NV			30	30SR	34	36	38	39.5	41	42	44	46	46.7	48	49	50	51	52	53	54	56	56.7	57	58	58.4	59	60	60.5	62	62.7	63	64	65	66	67	68	71	72	80			
DH 1-7 x 24 <small>NEW</small>	24	30																																								
DH 3-12 x 50	50	58																																								
DH 5-20 x 56	56	64																																								

Adapter code:			ARM52-30 ARM52-30SR * ARM52-34 ARM52-36 ARM52-38 ARM52-39.5 ARM52-41 ARM52-42 ARM52-44 ARM52-46 ARM52-46.7 ARM52-48 ARM52-49 ARM52-50 ARM52-51 ARM52-52 ARM52-53 ARM52-54 ARM52-56 ARM52-56.7 ** ARM52-57 ARM52-58 ARM52-58.4 ARM52-59 ARM52-60 ARM52-60.5 ARM52-62 ARM52-62.7 ** ARM52-63 ARM52-64 ARM52-65 ARM52-66 ARM52-67 ARM52-68 ARM52-71 ARM52-72 ARM52-80																																								
Riflescope	Lens diameter		30	30SR	34	36	38	39.5	41	42	44	46	46.7	48	49	50	51	52	53	54	56	56.7	57	58	58.4	59	60	60.5	62	62.7	63	64	65	66	67	68	71	72	80				
	Outside diameter																																										
Docter (classic)			30	30SR	34	36	38	39.5	41	42	44	46	46.7	48	49	50	51	52	53	54	56	56.7	57	58	58.4	59	60	60.5	62	62.7	63	64	65	66	67	68	71	72	80				
6 x 42	42	48																																									
8 x 56	56	62																																									
8 x 56 L	56	62																																									
1-4 x 24	24	30																																									
1.5-6 x 42	42	48																																									
2.5-10 x 48	48	54																																									
3-12 x 56	56	62																																									
Docter (unipoint)			30	30SR	34	36	38	39.5	41	42	44	46	46.7	48	49	50	51	52	53	54	56	56.7	57	58	58.4	59	60	60.5	62	62.7	63	64	65	66	67	68	71	72	80				
1-4 x 24	24	30																																									
1.5-6 x 42	42	48																																									
2.5-10 x 50	50	56																																									
3-12 x 56	56	62																																									
Docter (sport)			30	30SR	34	36	38	39.5	41	42	44	46	46.7	48	49	50	51	52	53	54	56	56.7	57	58	58.4	59	60	60.5	62	62.7	63	64	65	66	67	68	71	72	80				
3-9 x 40	40	47																																									
3-10 x 40	40	47																																									
4.5-14 x 40	40	47																																									
8-25 x 50	50	57																																									

Adapter code:			ARM52-30																																						
Riflescope	Lens diameter	Outside diameter	ARM52-30SR *																																						
			ARM52-34	ARM52-36	ARM52-38	ARM52-39.5	ARM52-41	ARM52-42	ARM52-44	ARM52-46	ARM52-46.7	ARM52-48	ARM52-49	ARM52-50	ARM52-51	ARM52-52	ARM52-53	ARM52-54	ARM52-56	ARM52-56.7 **	ARM52-57	ARM52-58	ARM52-58.4	ARM52-59	ARM52-60	ARM52-60.5	ARM52-62	ARM52-62.7 **	ARM52-63	ARM52-64	ARM52-65	ARM52-66	ARM52-67	ARM52-68	ARM52-71	ARM52-72	ARM52-80				
Kahles (C model)			30	30SR	34	36	38	39.5	41	42	44	46	46.7	48	49	50	51	52	53	54	56	56.7	57	58	58.4	59	60	60.5	62	62.7	63	64	65	66	67	68	71	72	80		
1.1-4x24 L	24	30																																							
1.1-4x24 SR	24	30																																							
1.5-6x42 L	42	48																																							
1.5-6x42 SR	42	48																																							
6x42 L	42	48																																							
8x50 L	50	56																																							
10x50 L	50	56																																							
2.5-10x50 L	50	56																																							
2.5-10x50 SR	50	56																																							
3-12x56 L	56	62																																							
3-12x56 SR	56	62																																							
8x56 L	56	62																																							
Kahles (CT model)			30	30SR	34	36	38	39.5	41	42	44	46	46.7	48	49	50	51	52	53	54	56	56.7	57	58	58.4	59	60	60.5	62	62.7	63	64	65	66	67	68	71	72	80		
2-7x36 L	36	42																																							
3-9x42 L	42	48																																							
3-10x50 L	50	56																																							
Kahles (K model)			30	30SR	34	36	38	39.5	41	42	44	46	46.7	48	49	50	51	52	53	54	56	56.7	57	58	58.4	59	60	60.5	62	62.7	63	64	65	66	67	68	71	72	80		
418	50	56																																							
418 TT	50	56																																							
418 mz	50	56																																							
Kahles (CL model)			30	30SR	34	36	38	39.5	41	42	44	46	46.7	48	49	50	51	52	53	54	56	56.7	57	58	58.4	59	60	60.5	62	62.7	63	64	65	66	67	68	71	72	80		
3-10x50 L	50	56																																							
3-10x50 L mz	50	56																																							
4-12x52 L	52	58																																							
4-12x52 L mz	52	58																																							
Kahles (CBX model)			30	30SR	34	36	38	39.5	41	42	44	46	46.7	48	49	50	51	52	53	54	56	56.7	57	58	58.4	59	60	60.5	62	62.7	63	64	65	66	67	68	71	72	80		
2.5-10x50 L	50	56																																							
2.5-10x50 SR	50	56																																							
3-12x56 L	56	62																																							
3-12x56 SR	56	62																																							
8x56 L	56	62																																							
Kahles (CSX model)			30	30SR	34	36	38	39.5	41	42	44	46	46.7	48	49	50	51	52	53	54	56	56.7	57	58	58.4	59	60	60.5	62	62.7	63	64	65	66	67	68	71	72	80		
1.1-4x24 L	24	30																																							
1.1-4x24 SR	24	30																																							
1.5-6x42 L	42	48																																							
1.5-6x42 SR	42	48																																							
2.5-10x50 L	50	56																																							
2.5-10x50 SR	50	56																																							
2.5-10x50 L mz	50	56																																							
2.5-10x50 SR mz	50	56																																							
3-12x56 L	56	62																																							
3-12x56 SR	56	62																																							
3-12x56 L mz	56	62																																							
3-12x56 SR mz	56	62																																							

Riflescope	Adapter code:																																								
	Lens diameter	Outside diameter	ARM52-30	ARM52-30SR *	ARM52-34	ARM52-36	ARM52-38	ARM52-39.5	ARM52-41	ARM52-42	ARM52-44	ARM52-46	ARM52-46.7	ARM52-48	ARM52-49	ARM52-50	ARM52-51	ARM52-52	ARM52-53	ARM52-54	ARM52-56	ARM52-56.7 **	ARM52-57	ARM52-58	ARM52-58.4	ARM52-60	ARM52-60.5	ARM52-62	ARM52-62.7 **	ARM52-63	ARM52-64	ARM52-65	ARM52-66	ARM52-67	ARM52-68	ARM52-71	ARM52-72	ARM52-80			
			30	30SR	34	36	38	39.5	41	42	44	46	46.7	48	49	50	51	52	53	54	56	56.7	57	58	58.4	60	60.5	62	62.7	63	64	65	66	67	68	71	72	80			
Leupold																																									
Most of ____x40	40	46.7																																							
Most of ____x50	50	58.4																																							

Riflescope	Adapter code:																																								
	Lens diameter	Outside diameter	ARM52-30	ARM52-30SR *	ARM52-34	ARM52-36	ARM52-38	ARM52-39.5	ARM52-41	ARM52-42	ARM52-44	ARM52-46	ARM52-46.7	ARM52-48	ARM52-49	ARM52-50	ARM52-51	ARM52-52	ARM52-53	ARM52-54	ARM52-56	ARM52-56.7 **	ARM52-57	ARM52-58	ARM52-58.4	ARM52-59	ARM52-60	ARM52-60.5	ARM52-62	ARM52-62.7 **	ARM52-63	ARM52-64	ARM52-65	ARM52-66	ARM52-67	ARM52-68	ARM52-71	ARM52-72	ARM52-80		
			30	30SR	34	36	38	39.5	41	42	44	46	46.7	48	49	50	51	52	53	54	56	56.7	57	58	58.4	59	60	60.5	62	62.7	63	64	65	66	67	68	71	72	80		
Meopta (Artemis 2000)																																									
4x32	32	38																																							
1.5x42	42	49																																							
2-8x42	42	49																																							
3-9x42	42	49																																							
6x42	42	49																																							
3-12x50	50	57																																							
7x50	50	57																																							
Meopta (Artemis 2100)																																									
3-12x50	50	57																																							
7x50	50	57																																							
Meopta (Artemis 3000)																																									
3-9x42	42	48.7																																							
Meopta (Meostar R1)																																									
1-4x22	22	30																																							
4-12x40	40	49.5																																							
3-10x50	50	60.5																																							
3-12x56	56	62																																							
7x56	56	62																																							
Meopta (Meostar R1 RD)																																									
1-4x22	22	30																																							
3-12x56	56	62																																							
7x56	56	62																																							
Meopta (Meostar Tactical)																																									
4-16x44	44	55.5																																							
Meopta (Meostar RD/MR)																																									
1-4x22	22	30																																							
Meopta (Meostar R1r)																																									
3-12x56	56	62																																							
Meopta (Meostar R1r RD)																																									
3-12x56	56	62																																							
Meopta (Meostar R1r RD/MR)																																									
3-12x56	56	62																																							

Adapter code:			ARM52-30 ARM52-30SR * ARM52-34 ARM52-36 ARM52-38 ARM52-39.5 ARM52-41 ARM52-42 ARM52-44 ARM52-46 ARM52-46.7 ARM52-48 ARM52-49 ARM52-50 ARM52-51 ARM52-52 ARM52-53 ARM52-54 ARM52-56 ARM52-56.7 ** ARM52-57 ARM52-58 ARM52-58.4 ARM52-59 ARM52-60 ARM52-60.5 ARM52-62 ARM52-62.7 ** ARM52-63 ARM52-64 ARM52-65 ARM52-66 ARM52-67 ARM52-68 ARM52-71 ARM52-72 ARM52-80																																							
Riflescope	Lens diameter	Outside diameter																																								
Nightforce (NXS)			30	30SR	34	36	38	39.5	41	42	44	46	46.7	48	49	50	51	52	53	54	56	56.7	57	58	58.4	59	60	60.5	62	62.7	63	64	65	66	67	68	71	72	80			
1-4 x 24	24	30	█																																							
2.5-10 x 32	32	40																																								
2.5-10 x 42	42	50														█																										
3.5-15 x 50	50	59																									█															
3.5-15 x 50 F1	50	59																									█															
5.5-22 x 50	50	59																									█															
5.5-22 x 56	56	65																																								
8-32 x 56	56	65																																								
Nightforce (ATACR)			30	30SR	34	36	38	39.5	41	42	44	46	46.7	48	49	50	51	52	53	54	56	56.7	57	58	58.4	59	60	60.5	62	62.7	63	64	65	66	67	68	71	72	80			
5-25 x 56	56	65																																								
Nightforce (B.E.A.S.T.)			30	30SR	34	36	38	39.5	41	42	44	46	46.7	48	49	50	51	52	53	54	56	56.7	57	58	58.4	59	60	60.5	62	62.7	63	64	65	66	67	68	71	72	80			
5-25 x 56 F1	56	65																																								
Nightforce (Competition)			30	30SR	34	36	38	39.5	41	42	44	46	46.7	48	49	50	51	52	53	54	56	56.7	57	58	58.4	59	60	60.5	62	62.7	63	64	65	66	67	68	71	72	80			
15-55 x 52	52	61																																								

Adapter code:			ARM52-30	ARM52-30SR *	ARM52-34	ARM52-36	ARM52-38	ARM52-39.5	ARM52-41	ARM52-42	ARM52-44	ARM52-46	ARM52-46.7	ARM52-48	ARM52-49	ARM52-50	ARM52-51	ARM52-52	ARM52-53	ARM52-54	ARM52-56	ARM52-56.7 **	ARM52-57	ARM52-58	ARM52-58.4	ARM52-59	ARM52-60	ARM52-60.5	ARM52-62	ARM52-62.7 **	ARM52-63	ARM52-64	ARM52-65	ARM52-66	ARM52-67	ARM52-68	ARM52-71	ARM52-72	ARM52-80										
Riflescope	Lens diameter	Outside diameter	30	30SR	34	36	38	39.5	41	42	44	46	46.7	48	49	50	51	52	53	54	56	56.7	57	58	58.4	59	60	60.5	62	62.7	63	64	65	66	67	68	71	72	80										
Schmidt Bender (Classic)			30	30SR	34	36	38	39.5	41	42	44	46	46.7	48	49	50	51	52	53	54	56	56.7	57	58	58.4	59	60	60.5	62	62.7	63	64	65	66	67	68	71	72	80										
6x42	42	50																																															
10x42	42	50																																															
1.5-6x42	42	50																																															
3-12x42	42	50																																															
7x50	50	57																																															
3-12x50	50	57																																															
4-16x50 Varmint	50	57																																															
8x56	56	62																																															
2.5-10x56	56	62																																															
Schmidt Bender (Zenith)			30	30SR	34	36	38	39.5	41	42	44	46	46.7	48	49	50	51	52	53	54	56	56.7	57	58	58.4	59	60	60.5	62	62.7	63	64	65	66	67	68	71	72	80										
1.1-4x24	24	30																																															
1.5-6x42	42	50																																															
3-12x50	50	57																																															
2.5-10x56	56	62																																															
Schmidt Bender (Precision Hunter)			30	30SR	34	36	38	39.5	41	42	44	46	46.7	48	49	50	51	52	53	54	56	56.7	57	58	58.4	59	60	60.5	62	62.7	63	64	65	66	67	68	71	72	80										
3-12x42	42	50																																															
4-16x50	50	57																																															
3-12x50	50	57																																															
Schmidt Bender (Police Marksman)			30	30SR	34	36	38	39.5	41	42	44	46	46.7	48	49	50	51	52	53	54	56	56.7	57	58	58.4	59	60	60.5	62	62.7	63	64	65	66	67	68	71	72	80										
1.1-4x20	20	30																																															
1.5-6x20	20	30																																															
1.1-4x24	24	30																																															
4-16x42	42	50																																															
3-12x50	50	57																																															
4-16x50	50	57																																															
5-25x56	56	62																																															
12.5-50x56	56	62																																															

Adapter code:			ARM52-30 ARM52-30SR * ARM52-34 ARM52-36 ARM52-38 ARM52-39.5 ARM52-41 ARM52-42 ARM52-44 ARM52-46 ARM52-46.7 ARM52-48 ARM52-49 ARM52-50 ARM52-51 ARM52-52 ARM52-53 ARM52-54 ARM52-56 ARM52-56.7 ** ARM52-57 ARM52-58 ARM52-58.4 ARM52-59 ARM52-60 ARM52-60.5 ARM52-62 ARM52-62.7 ** ARM52-63 ARM52-64 ARM52-65 ARM52-66 ARM52-67 ARM52-68 ARM52-71 ARM52-72 ARM52-80																																																
Riflescope	Lens diameter	Outside diameter	30	30SR	34	36	38	39.5	41	42	44	46	46.7	48	49	50	51	52	53	54	56	56.7	57	58	58.4	59	60	60.5	62	62.7	63	64	65	66	67	68	71	72	80												
Zeiss (Victory HT)			30	30SR	34	36	38	39.5	41	42	44	46	46.7	48	49	50	51	52	53	54	56	56.7	57	58	58.4	59	60	60.5	62	62.7	63	64	65	66	67	68	71	72	80												
1.1-4x24	24	30	█																																																
1.5-6x42	42	48												█																																					
2.5-10x50	50	56																				█																													
3-12x56	56	62																											█																						
Zeiss (Terra 3X)			30	30SR	34	36	38	39.5	41	42	44	46	46.7	48	49	50	51	52	53	54	56	56.7	57	58	58.4	59	60	60.5	62	62.7	63	64	65	66	67	68	71	72	80												
2-7x32	32	39.5						█																																											
3-9x42	42	50																																																	
4-12x42	42	50																																																	
3-9x50	50	60																																																	
4-12x50	50	60																																																	
Zeiss (Victory V8) NEW			30	30SR	34	36	38	39.5	41	42	44	46	46.7	48	49	50	51	52	53	54	56	56.7	57	58	58.4	59	60	60.5	62	62.7	63	64	65	66	67	68	71	72	80												
1.1-8x30	30	36				█																																													
1.8-14x50	50	56																																																	
2.8-20x56	56	62																																																	
4.8-35x60	60	67																																																	